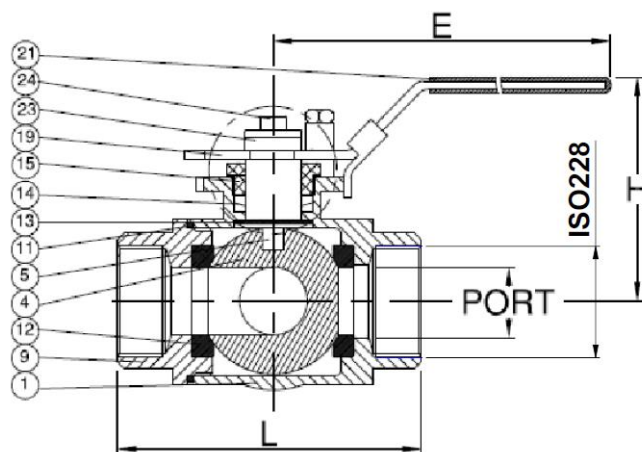


## 3-Wege Muffenkugelhahn, Messing/ 3-way ball valve, brass PA-182D.388.P

Technische Daten	Specification
<b>Bauform</b>	<b>Design</b>
Voller Durchgang	Full Port
ISO-Direktaufbauflansch	ISO-Directmountingpad
<b>Anschluss</b>	<b>Connection</b>
Beidseitig Innengewinde	Female threads
¼" - 2"	¼" - 2"
L - oder T - Bohrung	L - or T - bore
<b>Betriebsdruck</b>	<b>Pressure Range</b>
PN 10 – PN 30	PN 10 – PN 30
<b>Betriebstemperatur</b>	<b>Temperature Range</b>
min. -20°C - max. 160°C	min. -20°C - max. 160°C

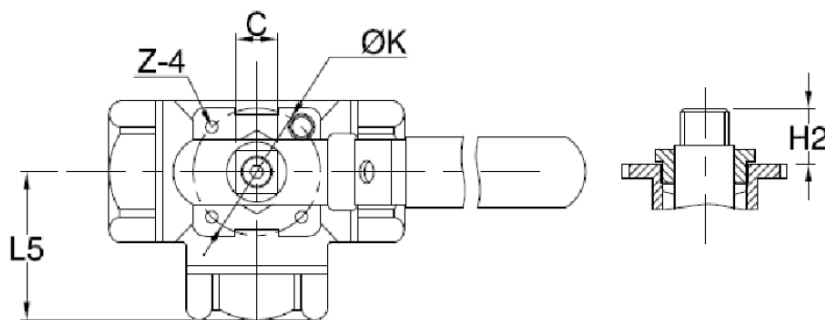


No.	Part Name	Material
1	Body	CW617N
4	Ball	CW614N
5	Stem	CW614N
9	End cap	EN1503-1
11	Body Seal	PTFE
12	Seat	RTFE
13	Thrust washer	PTFE
14	Stem packing	PTFE
15	Gland	SS304
19	Handle	SS304
21	Handle cover	Vinyl grip
23	Handle washer	SS304
24	Handle nut	SS304



TURN \ PORT	0°	90°	180°	270°
T				

TURN \ PORT	0°	90°	180°	270°
L				



Size	Port	L	L5	E	H	H2	C	ØK	Z-4	
DN8	¼"	11.0	69.4	34.6	133.4	60.7	10.7	9.0	42.0	M5xP0.8
DN10	3/8"	11.0	69.4	34.6	133.4	60.7	10.7	9.0	42.0	M5xP0.8
DN15	½"	12.5	75.7	37.3	133.4	64.1	10.7	9.0	42.0	M5xP0.8
DN20	¾"	16.0	86.6	44.7	178.5	82.4	13.9	11.0	50.0	M6xP1.0
DN25	1"	20.0	102.4	51.4	178.5	86.1	20.0	11.0	50.0	M6xP1.0
DN32	1 ¼"	25.0	118.2	57.7	209.9	91.4	23.8	11.0	50.0	M6xP1.0
DN40	1 ½"	32.0	125.8	62.7	208.0	102.7	25.8	11.0	70.0	M8xP1.25
DN50	2"	38.0	149.0	74.6	229.9	110.7	25.3	14.0	70.0	M8xP1.25