

Flansch-Kugelhahn, Edelstahl/ Flanged ball valve, stainless steel PA-19D.266.P / 19D.466.P

Technische Daten

Bauform
 2-teilig
 Entlastungsbohrung
 Ausblasseichere Spindel
 ISO-Direktaufbauflansch

Specification

Design
 2-piece
 Release bore
 Blow-out proof stem
 ISO-Directmountingpad

Anschluss

Beidseitig Flanche
 DN 15 - DN 200
 Baulänge nach DIN 3202
 F4, ab DN 125 F5

Connection

Flanged Ends
 DN 15 - DN 200
 Face to face acc. to DIN 3202
 F4, from DN 125 F5

Betriebsdruck

PN 40, ab DN 65 PN 16 oder PN 40

Pressure Range

PN 40, from DN 65 PN 16 or PN 40

Betriebstemperatur

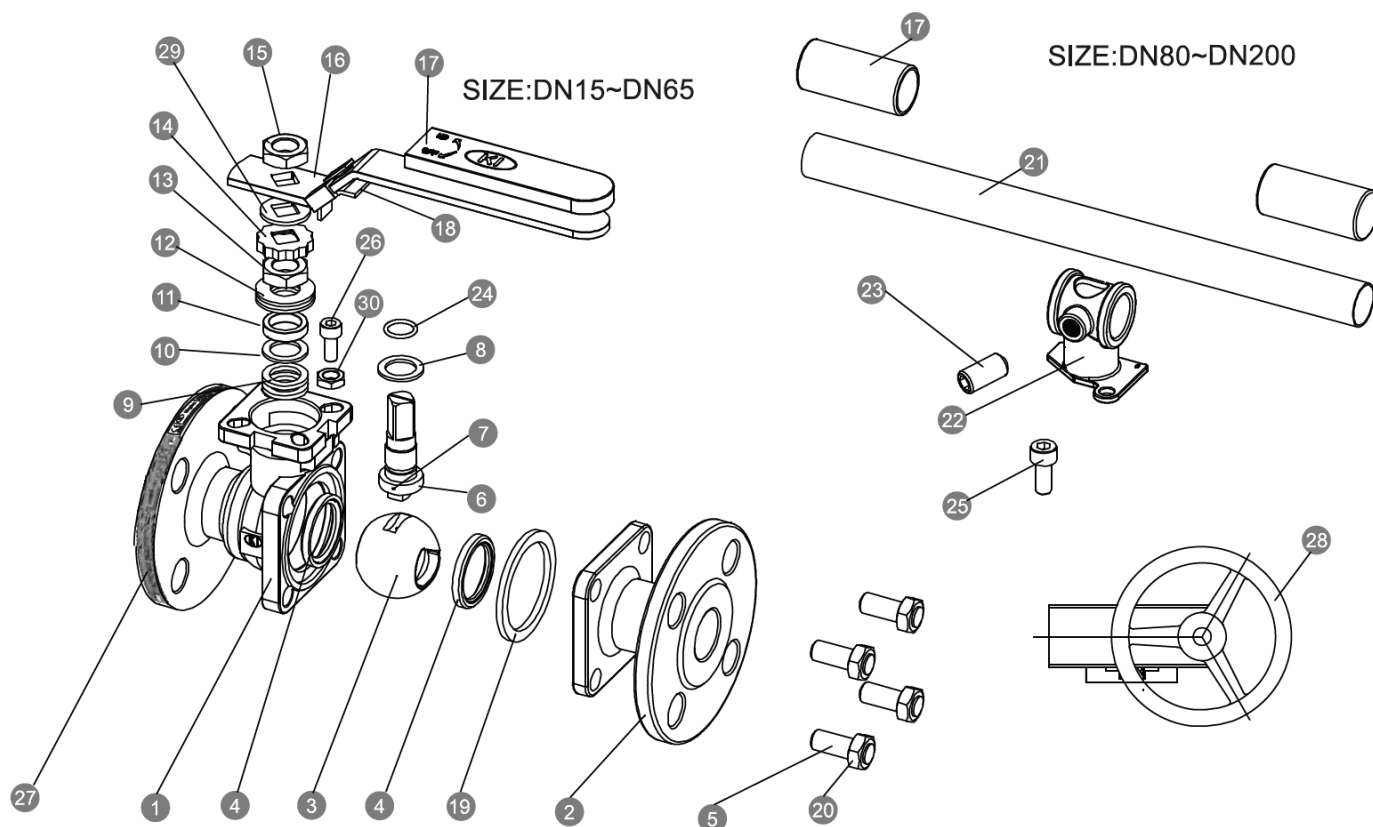
max. 180°C

Temperature Range

max. 180°C

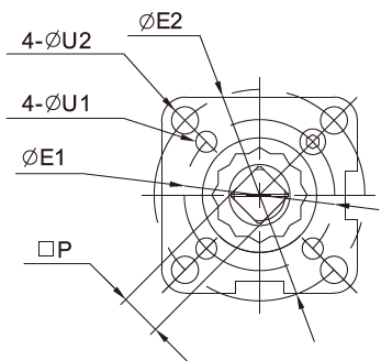


FIRE-SAFE / TA-LUFT / ATEX



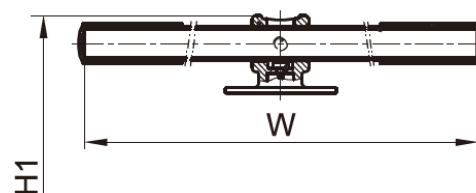
NO.	Part Name	Materials
1	Body	1.4408
2	Cap	1.4408
3	Ball	1.4408
4	Ball seat	TFM-1600
5	Bolt	A2-70
6	Stem	316
7	Anti-Static	316
8	Thrust washer	PTFE
9	Stem packing	Graphite
10	Bushing	304
11	Gland	316
12	Belleville washer	301
13	Stem nut	A194-8
14	Stop-lock-cap	304
15	Handle nut (DN15 - DN65)	A194-8
16	Lever (DN15 - DN65)	304
17	Handle sleeve	304
18	Lock device (DN15 - DN65)	304
19	Body gasket	316+Graphite
20	Bolt nut	A2-70
21	Pipe handle (DN80 - DN200)	A53+Plated Zn
22	Handle Adapter (DN80 - DN200)	A351-CF8
23	Set screwed (DN80 - DN200)	A2-70
24	O-Ring	FKM
25	Bolting (DN80 - DN200)	A2-70
26	Stop Bolt	A2-70
27	Nameplate	304
28	Worm gear (optional)	Package
29	Support washer	304
30	Stop nut	A2-70

Direct Mount Pad (ISO 5211)



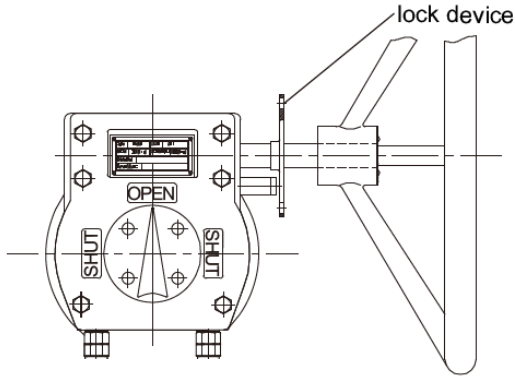
Pipe Handle Operation

SIZE : DN80 ~ DN200



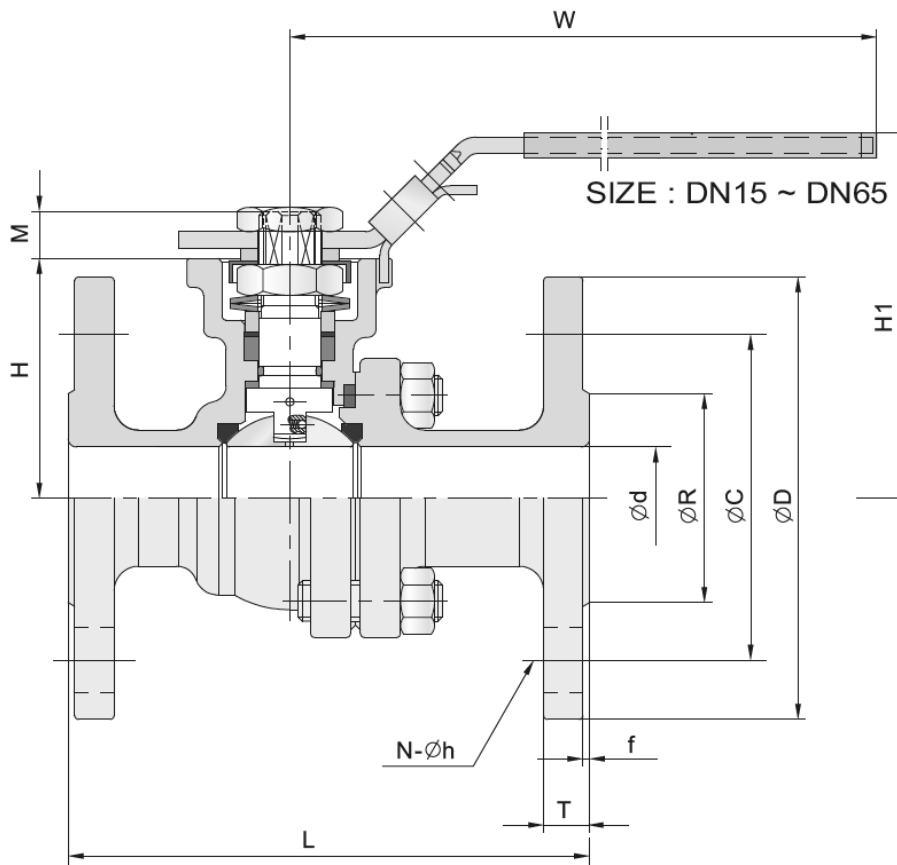
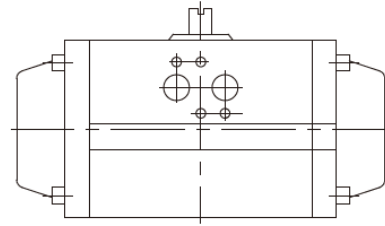
Gear Operation (Optional)

SIZE : DN65 ~ DN200



Automation (Optional)

SIZE : DN15 ~ DN200



EN PN10/16/25/40 (F1 / F7, F4 / F5)

Unit : mm

DN	PN	d	L	*L	R	D	C	f	T	N	h	H	H1	W	M	P	U1	U2	E1	E2	ISO 5211			
15	10	15.0	115	130	45	95	65	2	16	4	14	48	78	147	9	9	6	6	36	42	F03-F04			
20		20.0	120	150	58	105	75	2	18	4	14	53	84	147	9	9	6	6	36	42	F03-F04			
25	16	25.0	125	160	68	115	85	2	18	4	14	59	90	177	11	11	6	7	42	50	F04-F05			
32		32.0	130	180	78	140	100	2	18	4	18	71	102	177	11	11	6	7	42	50	F04-F05			
40	40	38.0	140	200	88	150	110	3	18	4	18	76	110	197	14	14	7	9	50	70	F05-F07			
50		50.0	150	230	102	165	125	3	20	4	18	85	118	197	14	14	7	9	50	70	F05-F07			
65	10/16	63.5	—	290	122	185	145	3	18	4	18	102	150	267	17	17	9	11	70	102	F07-F10			
												170	—											
												107	155											
80	10/16	76.0	180	310	138	200	160	3	20	8	18	112	176	300	17	17	9	11	70	102	F07-F10			
												25/40	170									290	22	8
100	10/16	100.0	190	350	158	220	180	3	20	8	18	140	210	400	22	22	—	11	—	102	F10			
					25/40	162	235															190	24	8
125	10/16	125.0	325	400	188	250	210	3	22	8	18	183	263	600	27	27	14	—	125	—	F12			
					25/40	270	220															26	8	26
150	10/16	150.0	350	450	212	285	240	3	22	8	22	204	284	800	27	27	14	—	125	—	F12			
					25/40	218	300															250	28	8
200	10	200.0	400	550	268	340	295	3	24	8	22	253	334	800	27	27	14	18 ^(a)	125	140 ^(a)	F12orF14 ^(a)			
	16				278	360	310															30	12	26
	25																							
	40																							

(a):Optional

L for Series F4 / F5
 *L for Series F1 / F7